



# DIAPHRAGM PUMP

## WE-P6010



### **SPECIFICATIONS**

MODEL NUMBER: WE-P6010

PUMP DESIGN: positive displacement three chamber diaphragm pump

MOTOR: permanent magnet

VOLTAGE: 36VDC

PRESSURE SWITCH: none

LIQUID TEMPERATURE: 65 ° C (149 ° F) max.

PRIME: self-priming up to 2 meter

RUNS DRY WITHOUT DAMAGE

PORTS: 3/8"-18 NPT female

NET WEIGHT: 1.85 kg (Plastic plate) 1.93 kg (Iron plate)

DUTY CYCLE: continuous

TYPICAL APPLICATIONS: R.O. booster pump and water delivery

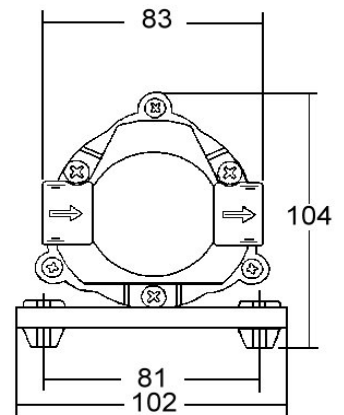
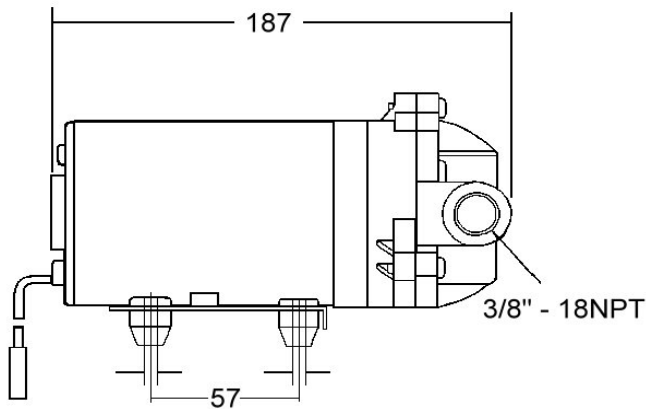
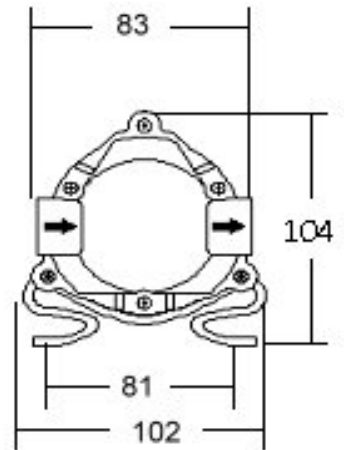
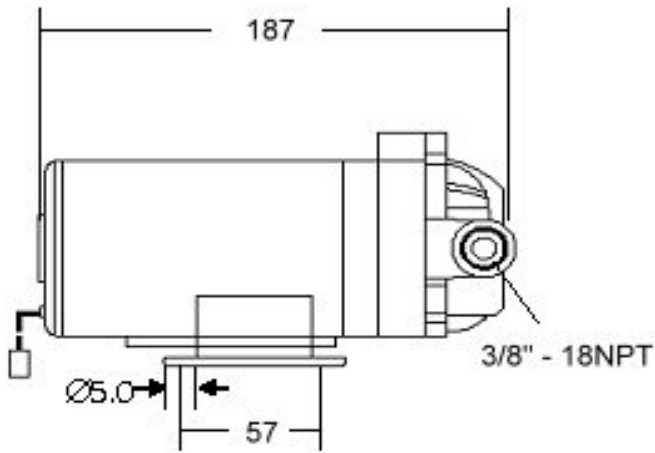
BYPASS: 125psi

CERTIFICATION: CE & SASO



# DIAPHRAGM PUMP

## WE-P6010



(UNIT : mm)

## DIMENSIONS



# DIAPHRAGM PUMP

## WE-P6010

---

INLET : 8 psi		
PRESSURE (psi)	FLOW (L/min)	CURRENT (amps)
0	2.70	0.175
10	1.90	0.210
20	1.70	0.275
30	1.55	0.330
40	1.48	0.400
50	1.40	0.450
60	1.35	0.510
70	1.28	0.565
80	1.20	0.620
90	1.00	0.670
100	0.66	0.730
128	0	0.878
ALL DATA BASED ON TESTING WITH WATER		
VOLTAGE (VOLTS): 36VDC /1.5A / Transformer		
NOTE: PERFORMANCE WILL VARY WITH VARIATION IN SERVICE VOLTAGE AND TRANSFORMER OUTPUT		

### BOOSTER PUMP

## PJ-V 6010

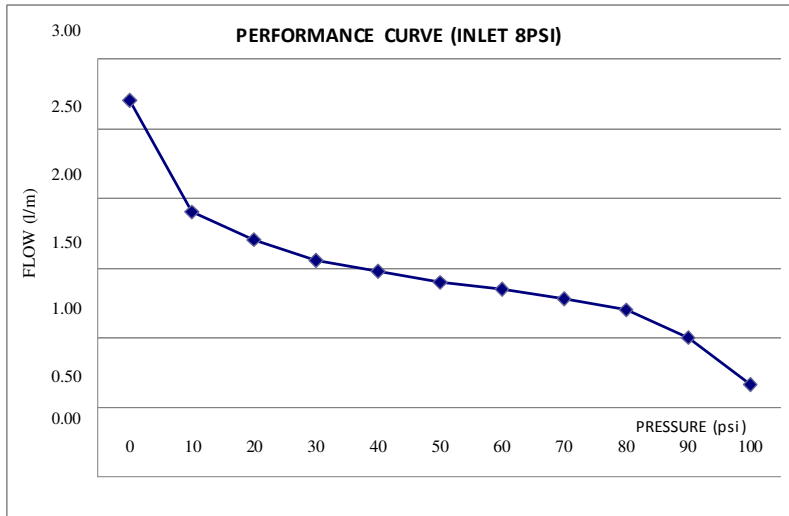
VOLTS. 36VDC      AMPS 0.22  
OPEN FLOW : 0.48GPM PRESSURE 100PSI

THIS PUMP IS DESIGNED FOR RESIDENTIAL  
REVERSE OSMOSIS SYSTEM

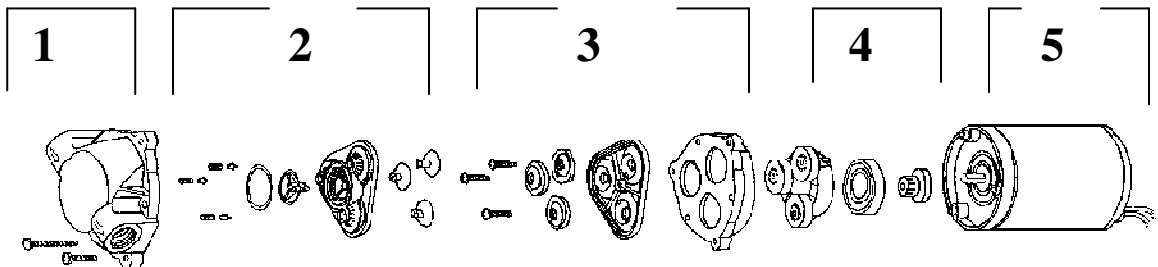


# DIAPHRAGM PUMP

## WE-P6010



THIS TEST IS BASED ON RUNNING CONTINUOUSLY WITH AN AMBIENT TEMPERATURE OF 26 ° C IN STILL AIR



1	UPPER HOUSING
2	BYPASS VALVE AND DISCHARGE VALVE ASSEMBLY
3	DIAPHRAGM AND PISTON COMPONENTS
4	DRIVE ASSEMBLY
5	MOTOR ASSEMBLY (LESS BASE PLATE)

## DISASSEMBLY